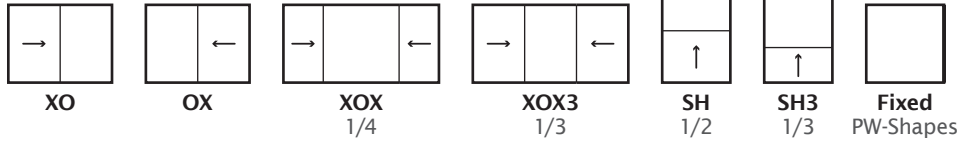


Viewed from exterior. Even sightlines. Combos available.



# Vista PLUS Windows

Series 5000 || Replacement & New Construction

**VINYL SLIDERS, SINGLE HUNG & FIXED**

## QUALITY VINYL

15-point inspection program for assurance.

## EFFICIENT DESIGN

Multichambered 3-1/4" frame provides strength, energy efficiency, and efficient water drainage.

## SEAMLESS APPLICATIONS

Integral nail fin with stucco key, integral dual-wall flush fin, and self-adhesive sloped sill adapter available.

## ENERGY-EFFICIENT GLASS

1" annealed dual-pane unit with a high-performance stainless steel spacer system.

## RELIABLE PERFORMANCE

Interlocking panels and weatherstripping guard against air and water infiltration.

## DURABLE LOCKING

Auto lock latch will retract and engage automatically when closing window.

## SIMPLE USABILITY

Includes two concealed vent stop latches and large adjustable dual-nylon rollers (with stainless steel axles) on a raised monorail track with a stainless steel cap.

## BETTER SCREENS

CrystalView™ improved-visibility screen with an integral pull handle for easy removal.

WARNING: Screens and vent stop latches are not fall prevention devices. Please take proper precautions.

**WARNING:** Cancer and Reproductive Harm - [www.P65Warnings.ca.gov](http://www.P65Warnings.ca.gov).



LowE3 / Argon  
for Title 24

[crystalpacificwindow.com/download](http://crystalpacificwindow.com/download)

REF-VP-031519 © CRYSTAL WINDOW & DOOR SYSTEMS

For informational purposes only. Subject to change without notice.

## PERFORMANCE SUMMARY

PG: 30

U-FACTOR: LE3/Ar (DS-DS) 0.29, 0.28

SHGC: LE3/Ar (DS-DS) 0.22, 0.24

U-FACTOR: LE3/Ar (DS-3/16) 0.29, 0.28

SHGC: LE3/Ar (DS-3/16) 0.22, 0.24

STC, OITC: (DS-3/16) 32, 26-25

## CHOOSE WHITE OR CLAY

White standard. CrystalCoat™ exterior colors available.

## INCREASE ENERGY EFFICIENCY

LowE3 performance glass with Argon gas available.

## IMPROVE ACOUSTICAL PROPERTIES

Dissimilar glass units and laminated glass available.

## PREPARE FOR AN EMERGENCY

Egress window sizes and tempered glass available.

## ENHANCE BEAUTY & STYLE

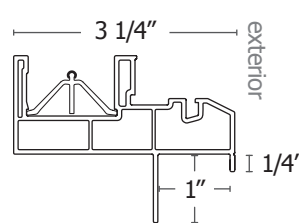
Colonial, Marginal, Queen Anne and Valance grid patterns available with 5/8" flat or 1" sculptured grid.

## ADD PRIVACY & BEAUTY

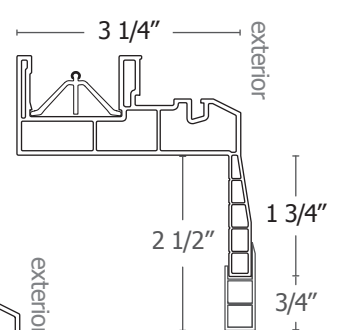
Patterned and tinted specialty glass available.

## FRAME CROSS SECTION

Nail-on

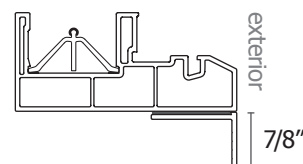


Retrofit fin extension shown



Block

sloped sill adapter shown



## AUTO LOCK PROFILE (top, side & back view)

