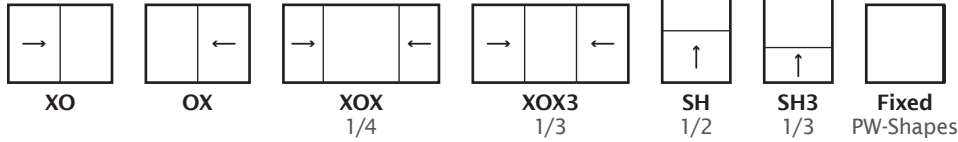


Viewed from exterior. Even sightlines. Combos available.



Vista PLUS Windows

Series 5000 // Replacement & New Construction

VINYL SLIDERS, SINGLE HUNG & FIXED

QUALITY VINYL

15-point inspection program for assurance.

EFFICIENT DESIGN

Multichambered 3-1/4" frame provides strength, energy efficiency, and efficient water drainage.

SEAMLESS APPLICATIONS

Integral nail fin with stucco key, integral dual-wall flush fin, and self-adhesive sloped sill adapter available.

ENERGY-EFFICIENT GLASS

1" annealed dual-pane unit with the high-performance Intercept® stainless steel spacer system.

RELIABLE PERFORMANCE

Interlocking panels and weatherstripping guard against air and water infiltration.

DURABLE LOCKING

Auto lock latch will retract and engage automatically when closing window.

SIMPLE USABILITY

Includes two concealed vent stop latches and large adjustable dual-nylon rollers (with stainless steel axles) on a raised monorail track with a stainless steel cap.

BETTER SCREENS

CrystalView™ improved-visibility screen with an integral pull handle for easy removal.

WARNING: Screens and vent stop latches are not fall prevention devices. Please take proper precautions.

WARNING: Cancer and Reproductive Harm - www.P65Warnings.ca.gov.



LowE3 / Argon
for Title 24

crystalpacificwindow.com/download

REF-VP-082418 © CRYSTAL WINDOW & DOOR SYSTEMS

For informational purposes only. Subject to change without notice.

PERFORMANCE SUMMARY

PG: 30

U-FACTOR: LE3/Ar (DS-DS) 0.29, 0.28

SHGC: LE3/Ar (DS-DS) 0.22, 0.24

U-FACTOR: LE3/Ar (DS-3/16) 0.29, 0.28

SHGC: LE3/Ar (DS-3/16) 0.22, 0.24

STC, OITC: (DS-3/16) 32, 26-25

CHOOSE WHITE OR CLAY

White standard. CrystalCoat™ exterior colors available.

INCREASE ENERGY EFFICIENCY

LowE3 performance glass with Argon gas available.

IMPROVE ACOUSTICAL PROPERTIES

Dissimilar glass units and laminated glass available.

PREPARE FOR AN EMERGENCY

Egress window sizes and tempered glass available.

ENHANCE BEAUTY & STYLE

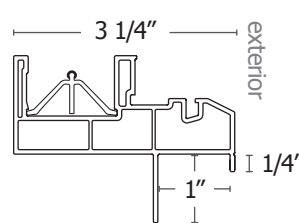
Colonial, Marginal, Queen Anne and Valance grid patterns available with 5/8" flat or 1" sculptured grid.

ADD PRIVACY & BEAUTY

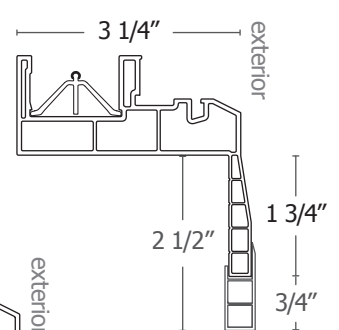
Patterned and tinted specialty glass available.

FRAME CROSS SECTION

Nail-on

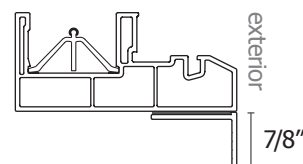


Retrofit fin extension shown



Block

sloped sill adapter shown



AUTO LOCK PROFILE (top, side & back view)

