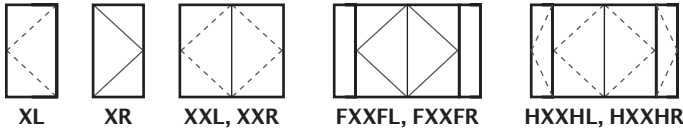


Viewed from the outside. Inswing sidelites only.



The Clear Choice Is Crystal

# Premium Vinyl Swing Doors

Valencia Series | Light Commercial & Residential Applications

## INSWING & OUTSWING DOORS

### PREMIUM VINYL

Verifiable longevity and durability with unique formulation.

### COMPREHENSIVE DESIGN

Multichambered 5 1/4" frame and full reinforcement increases strength, energy performance and allows for efficient water drainage.

### INTEGRAL FIN ATTACHMENTS

Choose nail fin with stucco key, retrofit dual-wall flush fin or block frame with no fins.

### ENERGY-EFFICIENT GLASS

1" dual-pane unit with tempered glass and the high-performance Intercept® spacer system. Laminated glass available.

### OUTSTANDING PERFORMANCE

Dual weather seals guard against air, water, and sound infiltration.

### HIGH-QUALITY HARDWARE

Operates quietly and easily with concealed adjustable hinges and includes handles, thumbturns, keylock, and aluminum threshold under subsill.

### DURABLE MULTIPOINT LOCKING

Secure stainless-steel multipoint locking system, inactive doors include shootbolts (top and bottom).

### CHOOSE WHITE OR CRYSTALCOAT™

White standard. CrystalCoat™ exterior colors available.

### INCREASE ENERGY EFFICIENCY

LowE3 performance glass and Argon gas available.

### IMPROVE ACOUSTICAL PROPERTIES

Dissimilar glass units and laminated glass available.

### ENHANCE BEAUTY & STYLE

Colonial, Marginal, Queen Anne and Valance grid patterns available with flat or sculptured grid.

### OPERABLE SIDELITES

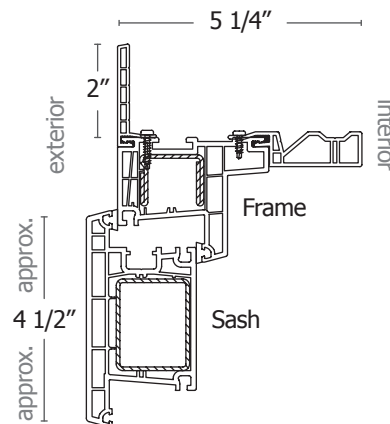
Inswing or fixed sidelites available with double doors.

### PERFORMANCE SUMMARY

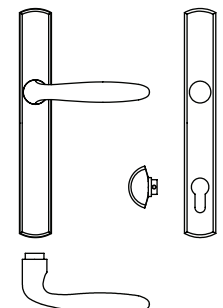
Class-PG: Up to LC-40  
 U-FACTOR: LE3/Ar (DS-DS) 0.31  
 SHGC: LE3/Ar (DS-DS) 0.17

### FRAME & SASH CROSS SECTION

Retrofit



### HANDLE PROFILE



LowE3 / Argon  
for Title 24



CERTIFIED  
MANUFACTURER