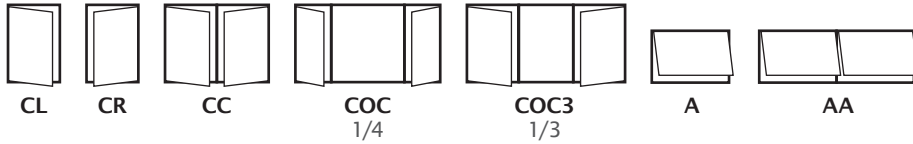


Viewed from the outside. Open outward. Combos available.



The Clear Choice Is Crystal

Vista PLUS Projected Vinyl Windows

Series 500 | Replacement & New Construction Applications

CASEMENTS & AWNINGS

QUALITY VINYL

15-point inspection program for assurance.

EFFICIENT DESIGN

Multichambered 3 1/4" frame provides strength, energy efficiency, and efficient water drainage.

INTEGRAL FIN ATTACHMENTS

Choose nail-on frame with nail fin and stucco key, retrofit frame with dual-wall flush fin or block frame with no fins (includes sloped sill adapter).

ENERGY-EFFICIENT GLASS

1" dual-pane unit with annealed glass and the high-performance Intercept® spacer system. Tempered glass available.

RELIABLE PERFORMANCE

Dual weather seals guard against air and water infiltration.

DURABLE LOCKING

Secure locking system with full-flip folding handle that recesses in the operator cover.

SIMPLE USABILITY

Operates easily and conveniently, includes user-friendly operator.

BETTER SCREENS

CrystalView™ improved-visibility screen mesh with antimicrobial properties.

WARNING: Screens are not fall prevention devices. Please take proper precautions.

CHOOSE WHITE OR CLAY

White standard. CrystalCoat™ exterior colors available.

INCREASE ENERGY EFFICIENCY

LowE3 performance glass and Argon gas available.

IMPROVE ACOUSTICAL PROPERTIES

Dissimilar glass units and acoustic ratings available.

ENHANCE BEAUTY & STYLE

Colonial, Marginal, Queen Anne and Valance grid patterns available with flat or sculptured grid.

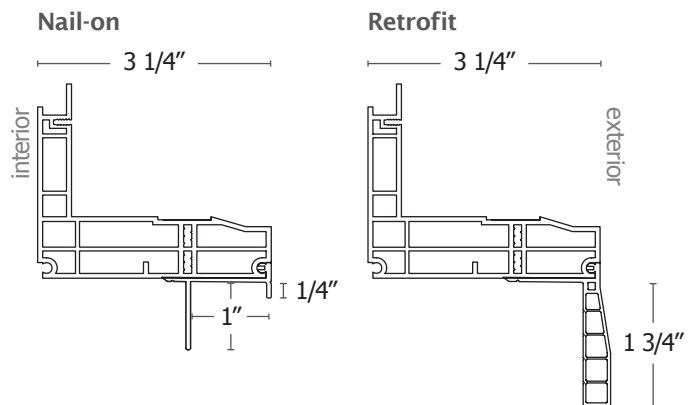
ADD PRIVACY & BEAUTY

Patterned and tinted specialty glass available.

CA PERFORMANCE SUMMARY

Class-PG: C-40
 U-FACTOR: LE3/Ar (DS-DS) 0.28
 SHGC: LE3/Ar (DS-DS) 0.19
 U-FACTOR: LE3/Ar (3/16-3/16) 0.28
 SHGC: LE3/Ar (3/16-3/16) 0.18
 STC, OITC: (DS-DS) 31, 24

FRAME CROSS SECTION



FOLDING HANDLE PROFILE (top, side & extended side view)



LowE3 / Argon
for Title 24