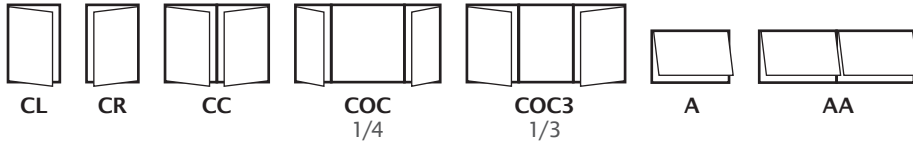


Viewed from the outside. Open outward. Combos available.



The Clear Choice Is Crystal

Projected Vinyl Windows

Series 500 | Replacement & New Construction Applications

CASEMENTS, AWNINGS & FIXED

QUALITY VINYL EXTRUSIONS

15-point quality vinyl extrusions assurance program.

MULTICHAMBERED FRAME DESIGN

Provides strength, energy efficiency and efficient water drainage.

3 1/4" NAIL-ON, BLOCK & RETROFIT FRAMES

Nail-on with integral nail fin attachment and stucco key. Block with no fin and sloped sill adapter. Retrofit with integral dual-wall flush fin attachment.

1" ENERGY-EFFICIENT INSULATED GLASS UNIT

Includes annealed glass and high-performance Intercept® spacer system. Tempered glass available.

DUAL WEATHER SEALS

To form an air and water barrier.

DURABILITY & EASY OPERATION

User-friendly operator and locking system are distinctive in appearance and performance.

CONVENIENT FULL-FLIP FOLDING HANDLE

Handle recesses in the operator cover smoothly and eliminates interference with curtains and blinds.

CRYSTALVIEW IMPROVED-VISIBILITY SCREEN

Greater openness and antimicrobial properties.

WARNING: Screens are not fall prevention devices. Please take proper precautions.

CHOOSE WHITE OR CLAY

White standard. CrystalCoat exterior colors available.

INCREASE ENERGY EFFICIENCY

Insulated glass units available with LowE3/Argon or LowE2 performance glass.

IMPROVE ACOUSTICAL PROPERTIES

1/8-3/16" dissimilar glass available with STC 35 rating.

ENHANCE BEAUTY & STYLE

Colonial, Marginal, Queen Anne and Valance grid patterns available with flat or sculptured grid.

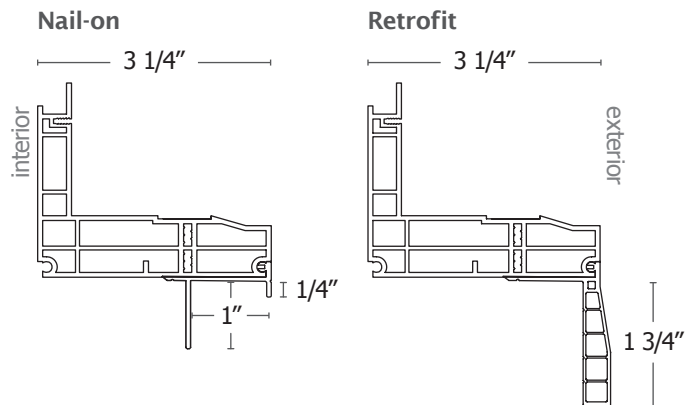
ADD PRIVACY & BEAUTY

Specialty glass available (e.g., obscure, glue chip, rain).

PERFORMANCE SUMMARY

Class-PG: CA C-40
 U-FACTOR: LE3/Ar (SS-SS) CA 0.28
 SHGC: LE3/Ar (SS-SS) CA 0.19
 U-FACTOR: LE3/Ar (DS-DS) CA 0.28
 SHGC: LE3/Ar (DS-DS) CA 0.19
 STC: Annealed (DS-3/16) CA 35

FRAME CROSS SECTION



FOLDING HANDLE PROFILE (top, side & extended side view)



LowE3 / Argon
for Title 24



AVAILABLE @
CRYSTALPACIFICWINDOW
.COM/DOWNLOAD

REFCA010617
© 2017 CRYSTAL WINDOW
& DOOR SYSTEMS